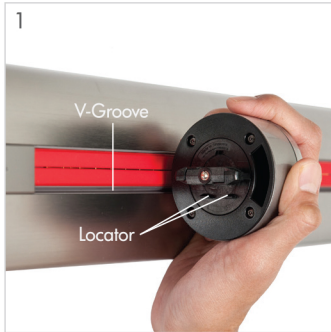
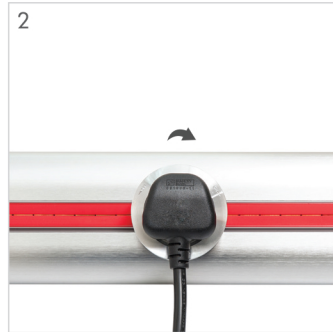


Directions For Use



1 Always align Locator to V-Groove before inserting adaptors/accessories.



2 Insert plug and turn clockwise to engage power.



3 Connect the USB charging cable (not included) to the charging port to begin charging your device.



GENESIS TRACK

GT1.0

User Guide

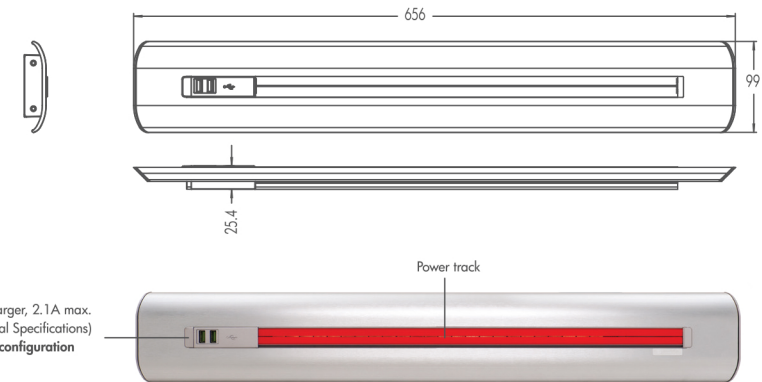
⚠ PLEASE READ BEFORE USE



Keep away from fire. Not for outdoor use.

Keep away from water.

Product Overview



Built-in USB Charger, 2.1A max.
(refer to Technical Specifications)
Actual product configuration may vary.

Technical Specifications

Rated Voltage	: 250 V a.c. Single-phase
Rated Current (for pre-wired)	: 13 Amp max. (1.5mm ² 3-core cable) 16 Amp max. (2.5mm ² 3-core cable)
Frequency	: 50Hz / 60Hz
Rated Impulse Withstand Voltage	: 4000V a.c.
Track Material	: Aluminium
Insulation Material	: Polycarbonate
Dimension (Height x Depth)	: 656mm x 99 x 25.4mm (refer to front side)
Weight	: Estimated 1.4kg

Single USB Port Version

No. of USB charging ports	: 1 port
Total Output	: 5V / 2.1A
Usage Scenario	: 1 x 2.0A (2.0A max.)

Dual USB Port Version

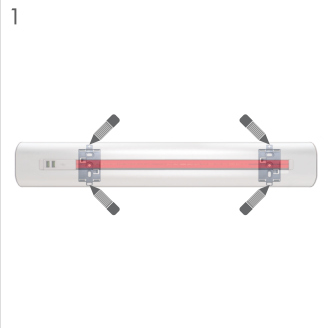
No. of USB charging ports	: 2 ports
Total Output	: 5V / 2.1A
Usage Scenario	: A - 2 x 1.0A (2.0A max.) B - 1 x 2.0A (2.0A max.) C - 1 x 1.0A (1.0A max.)

3 Years Limited Warranty

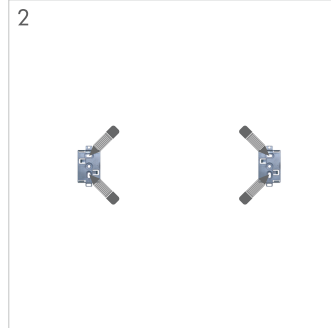
1. Eubiq Pte Ltd ("Eubiq") warrants to the end-user of the product ("the Customer") that the product will be free from defects in materials and workmanship under normal use for a period of three (3) years from the date of retail purchase by the original end-user purchaser ("Warranty Period").
2. The Customer should access and refer to Eubiq website at www.eubiq.com for a list of Eubiq authorised dealers to contact for warranty service.
3. All requests for warranty service must be made within the Warranty Period, and be accompanied by the original dated proof of purchase.

ALL RIGHTS RESERVED.
EUBIQ AND GSS ARE THE REGISTERED TRADEMARKS OF EUBIQ PTE LTD.

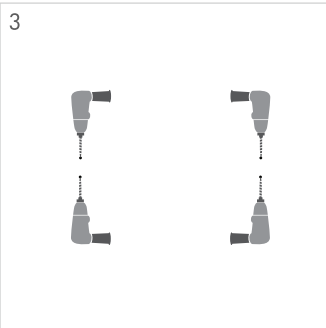
Surface-Mount Installation



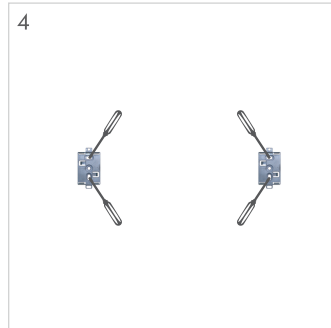
1
Mark locations of mounting brackets. Use a level tool if necessary. Then, remove brackets from GT1.0 Track.



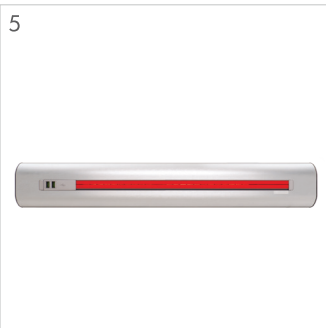
2
Mark locations for drilled holes.



3
Drill holes for mounting screws with $\varnothing 4\text{mm}$ drill bit.

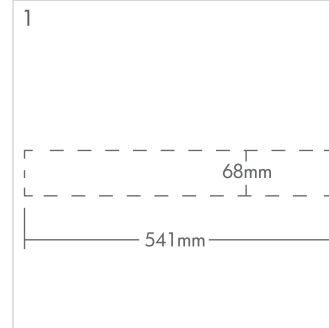


4
Secure brackets to the wall with the screws provided.

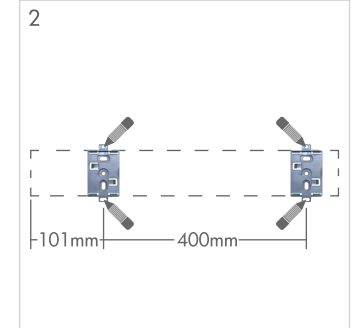


5
Attach GT1.0 Track to the mounting brackets. GT1.0 is now ready for use.

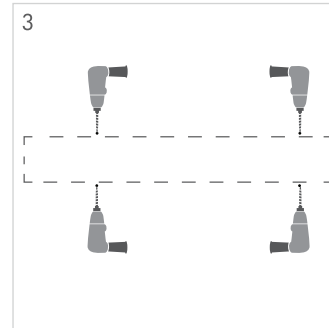
Semi-Recess Installation (Wall/Table)



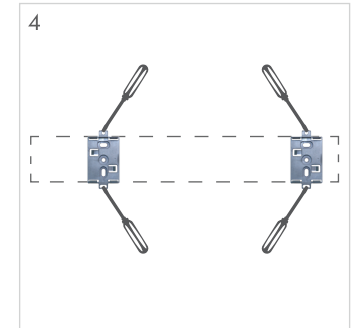
1
Prepare cutout opening for GT1.0 Track. [541 * 68mm]
Remove the brackets from GT1.0 Track.



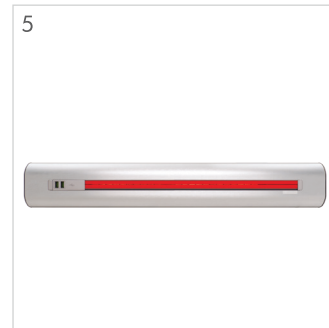
2
Mark locations for drilled holes.



3
Drill holes for mounting screws with $\varnothing 4\text{mm}$ drill bit.



4
Secure brackets to the wall/table surface with the screws provided.



5
Attach GT1.0 Track to the mounting brackets. GT1.0 is now ready for use.